

薄膜专用接线盒 BIPV Junction Box

产品规格

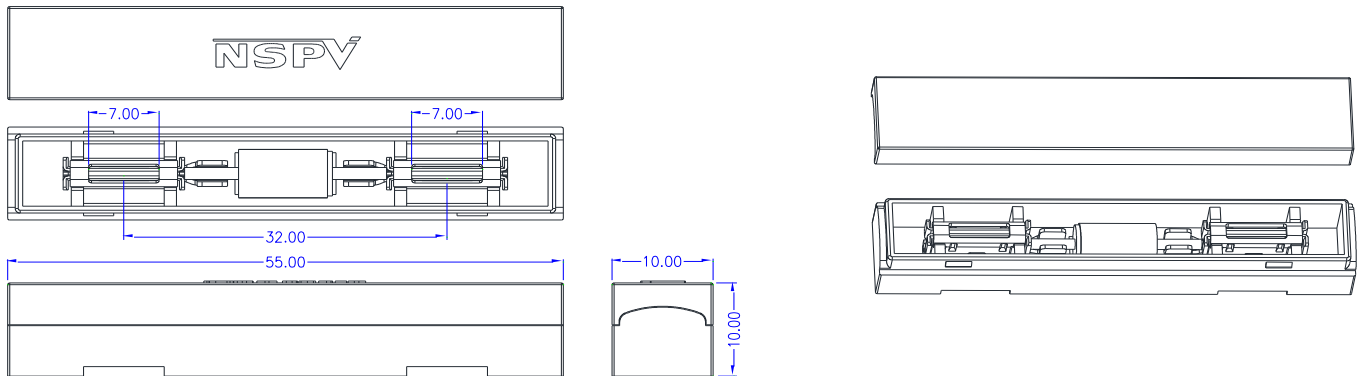
Product Specifications

| | | | |
|---------------------------------------|------------------|---|------------------------|
| 接线盒本体材料 BOX Material | PPE/PA | 阻燃等级 Flame Class | UL94-V0 |
| 额定电流 Rated current | 10A(Diode 15A) | 环境温度范围 Ambient temperature range | -40℃...+85℃(IEC) |
| 额定电压 Rated voltage | 1000VDC | 适配电线规格 Suitable cable cross sections | 2.5/4.0mm ² |
| 测试电压 Test voltage | 6kV(50Hz,1min) | 二极管数量 Diode Number | Each 1PC |
| 连接器接触电阻 Typical contact resistance | ≤ 0.25mΩ | 温度上限 Upper limiting temperature | 110℃(IEC) |
| 金属导体材料 Contact material | 铜,镀锡 | 电缆外径 Range of cable gland(mm) | O.D.:5.5 |
| 保护等级 Degree of protection | IP67(In potting) | 汇流条尺寸 Ribbons size(mm) | 6(W)*0.2-0.4(T) |
| 安全等级 Safety degree | II | 汇流条连接 Connection of bus ribbons | Clamp |

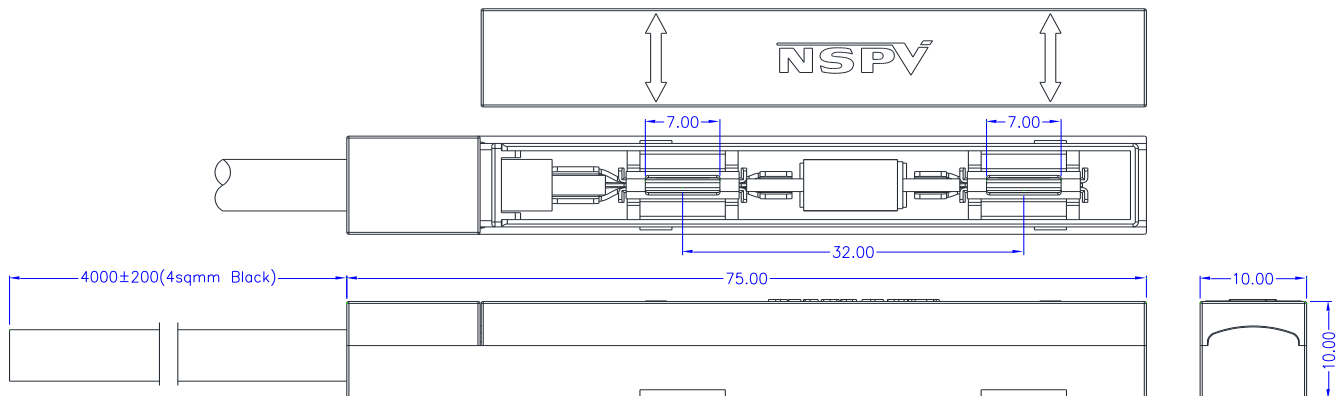
图示

Drawing

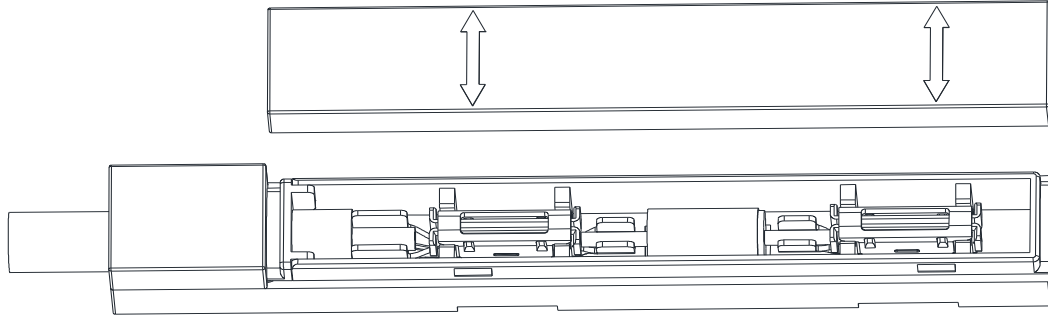
Mid Jbox JBBM01-**



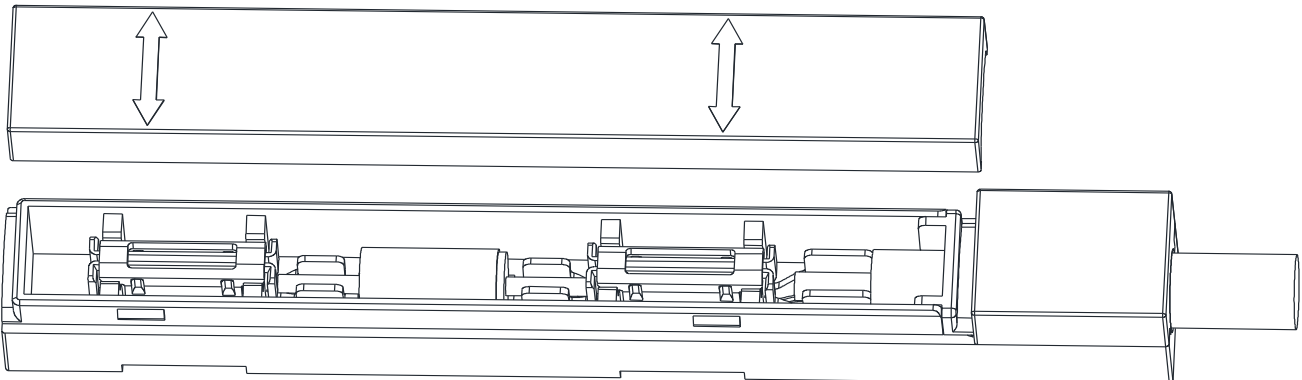
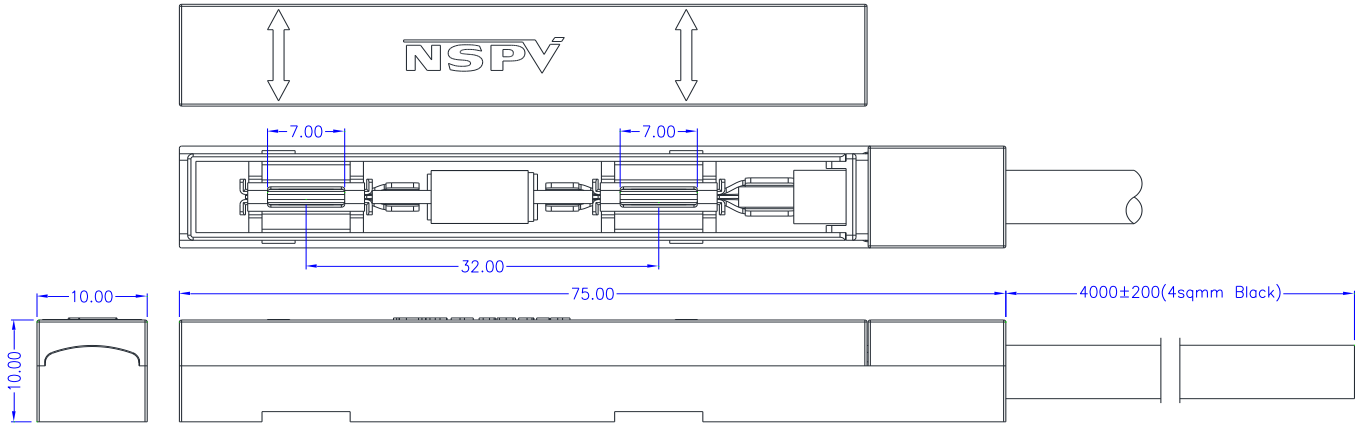
Negative JBBN01-**



薄膜专用接线盒 BIPV Junction Box



Positive JBBP01-**



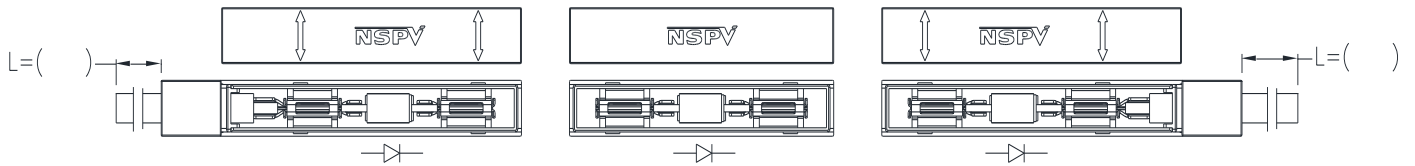
薄膜专用接线盒 BIPV Junction Box

产品应用
Production Application

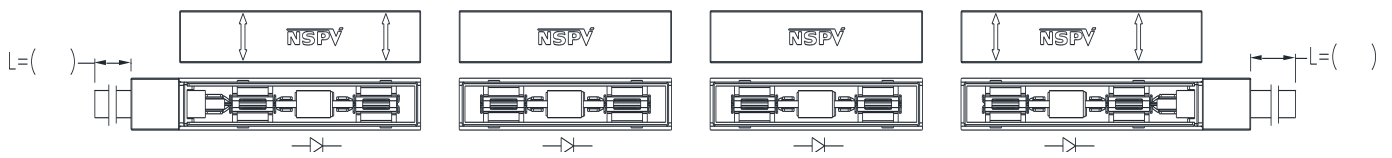
1:0:1(Negative : Middle : Positive)



1:1:1(Negative : Middle : Positive)



1:2:1(Negative : Middle : Positive)



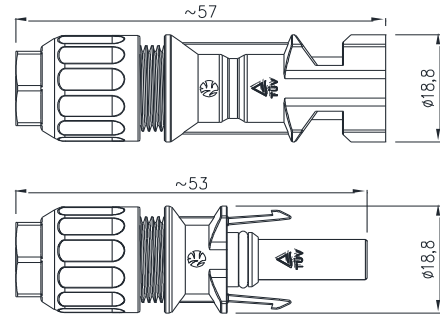
1:3:1(Negative : Middle : Positive)



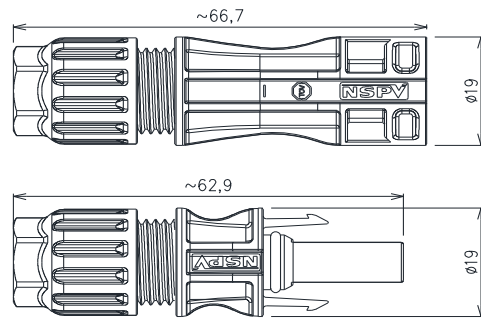
薄膜专用接线盒 BIPV Junction Box

连接器的搭配 Connector Selection

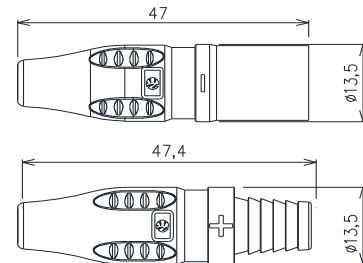
Newsun 1000VDC cable connector:



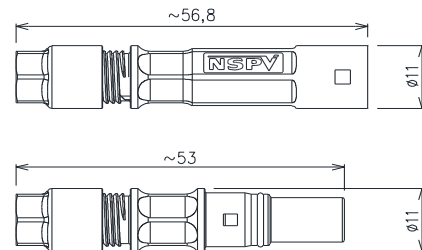
Newsun 1500VDC cable connector:



Newsun 1000VDC PV3.0 cable connector:



Newsun 1000VDC Mini cable connector:



MC4/EVO cable connector

