

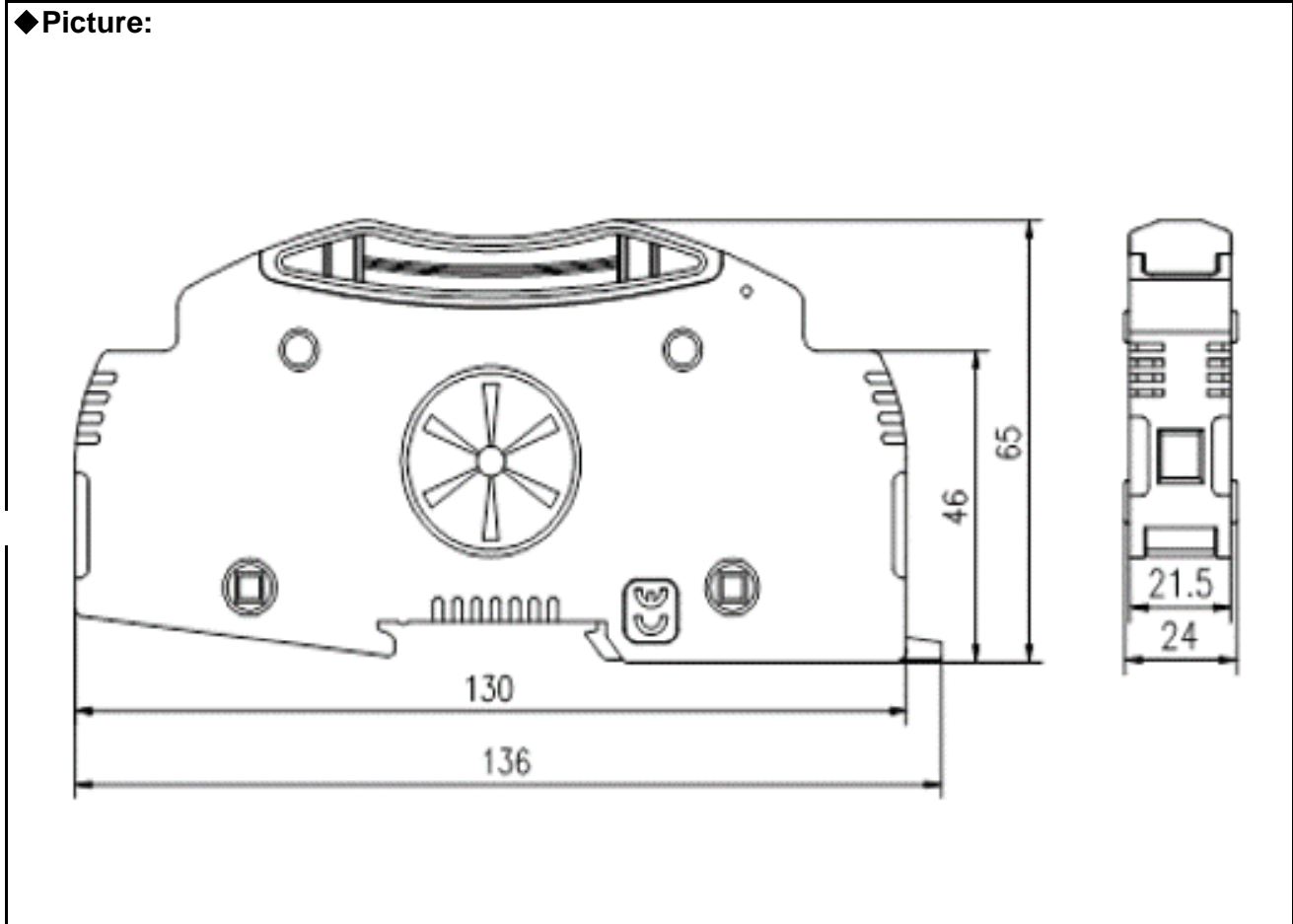
1500VDC FUSE DIN HOLDER

◆Product description:

This fuse holder type is mainly used for breaking in case of possible photovoltaic series of solar energy collecting plates in solar energy photovoltaic header boxes and circuit overload and short-circuit current caused by current feedback of inverters, thus protecting the entire photovoltaic energy collecting plates. Also it can be used in any other DC circuit protection of electric elements.

Rated Voltage	1500VDC	Accept the rated power	<5W
Rated Current	Max.50A	The working temperature	-40C°~+85C°

◆Picture:



◆Storage environment:

The storage temperature: -40C°~+85C°

The storage humidity: ≤90%

No harmful gases and flammable and explosive materials and corrosive items in the warehouse, and should not have received strong mechanical vibration, shock and strong magnetic field effect.