

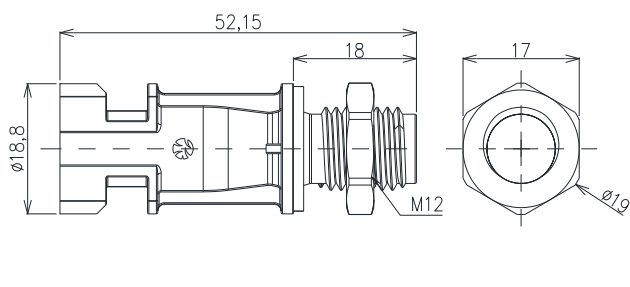
光伏4.0面板1500VDC连接器_螺纹长款 PV4.0 1500VDC Panel Connector_Long Type

产品规格 Product Specifications

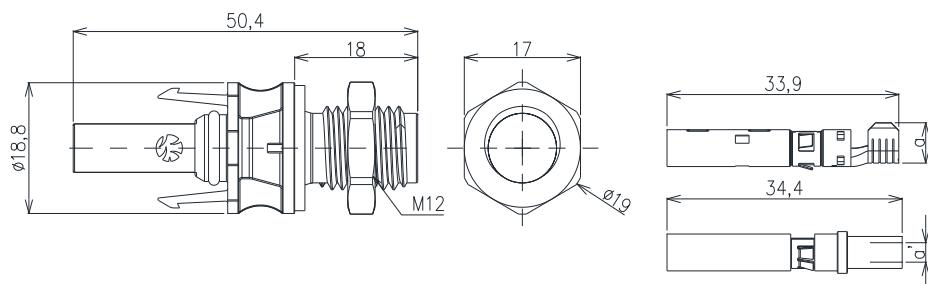
| | | | |
|---|---------------------------|---|-------------------------------|
| 绝缘材料 Insulation material | PPE/PA | 安全等级 Safety degree | II |
| 额定电流 Rated current | 35A | 阻燃等级 Flame class | UL94-V0 |
| 额定电压 Rated voltage | 1500VDC | 环境温度范围 Ambient temperature range | -40°C...+85°C(IEC) |
| 测试电压 Test voltage | 8kV(50Hz,1min) | 适配电线规格 Suitable cable cross sections | 2.5~6mm ² /4~10AWG |
| 连接器接触电阻 Contact resistance | ≤0.25mΩ | 连接方式 Connecting system | 压接 Crimp connection |
| 金属导体材料 Contact material | 铜,镀锡 Copper,Tin plated | 螺帽锁紧力 Nut cap locking force | 0.8-1.0Nm |
| 保护等级 Degree of protection | IP68(1m,1H) | 温度上限 Upper limiting temperature | 110°C(IEC) |
| 过压等级 Overvoltage category/Pollution degree | CATIII/2 | 额定脉冲电压 Rated Impulse voltage | 16kV |

图示: Drawing:

公连接器
Male Connector 4PN



母连接器
Female Connector 4PP

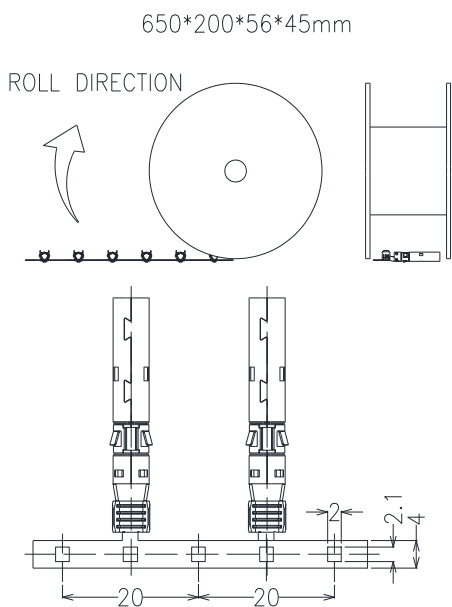
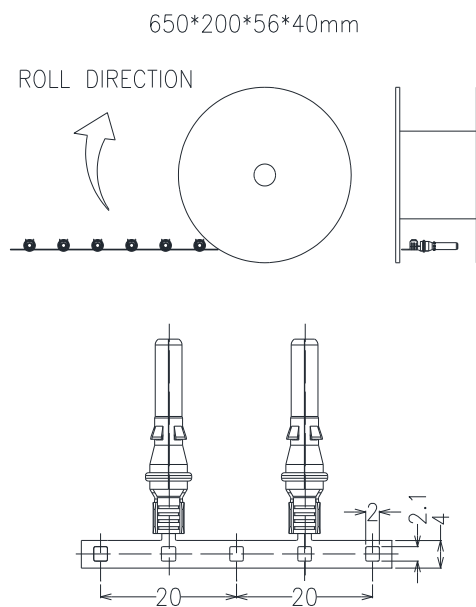
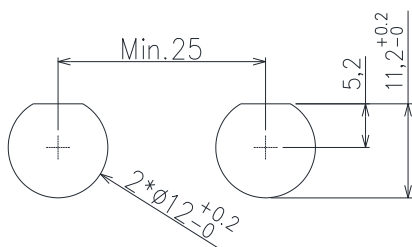
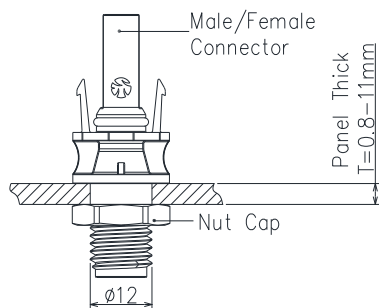


面板连接器料号 Panel connector part number:

| 母端 Female | 公端 Male | 电流 Current | a | a' | 适配电线规格 Cable Size |
|-------------|---------|------------|------|------|-----------------------------------|
| 料号 Part No. | | Amps | | | |
| 4PP25L | 4PN25L | 35 | 4.05 | Ø2.1 | 1.5/2.5mm ² / 16/14AWG |
| 4PP40L | 4PN40L | 35 | 5.8 | Ø2.8 | 4.0/6.0mm ² &10/12AWG |
| 4PP60L | 4PN60L | 35 | 5.8 | Ø3.4 | 4.0/6.0mm ² &10/12AWG |

端子料号 Terminal part number:

| 公端子 Male terminal | | | 母端子 Female terminal | | |
|-------------------|--------------------|----------------------------------|---------------------|--------------------|----------------------------------|
| 料号 Part No. | 端子样式 Terminal type | 电线规格 Cable Size | 料号 Part No. | 端子样式 Terminal type | 电线规格 Cable Size |
| 4CPTS2501-01 | 冲压件端子 Stamping pin | 1.5-2.5mm ² /16-14AWG | 4CNTS2501-01 | 冲压件端子 Stamping pin | 1.5-2.5mm ² /16-14AWG |
| 4CPTS4001-01 | | 4.0-6.0mm ² /12-10AWG | 4CNTS4001-01 | | 4.0-6.0mm ² /12-10AWG |
| 4CPTL2501-01 | 车件端子 Lathing pin | 2.5mm ² /14AWG | 4CNTL2501-01 | 车件端子 Lathing pin | 2.5mm ² /14AWG |
| 4CPTL4001-01 | | 4.0mm ² /12AWG | 4CNTL4001-01 | | 4.0mm ² /12AWG |
| 4CPTL6001-01 | | 6.0mm ² /10AWG | 4CNTL6001-01 | | 6.0mm ² /10AWG |

冲压公端子 Stamping male pin

冲压母端子 Stamping female pin

面板孔位尺寸 Panel Hole Size

面板尺寸 Panel size

解锁工具 Wrench tool
