

# 1500Vdc保险丝座

## 1500Vdc Fuse Holder

### 产品规格

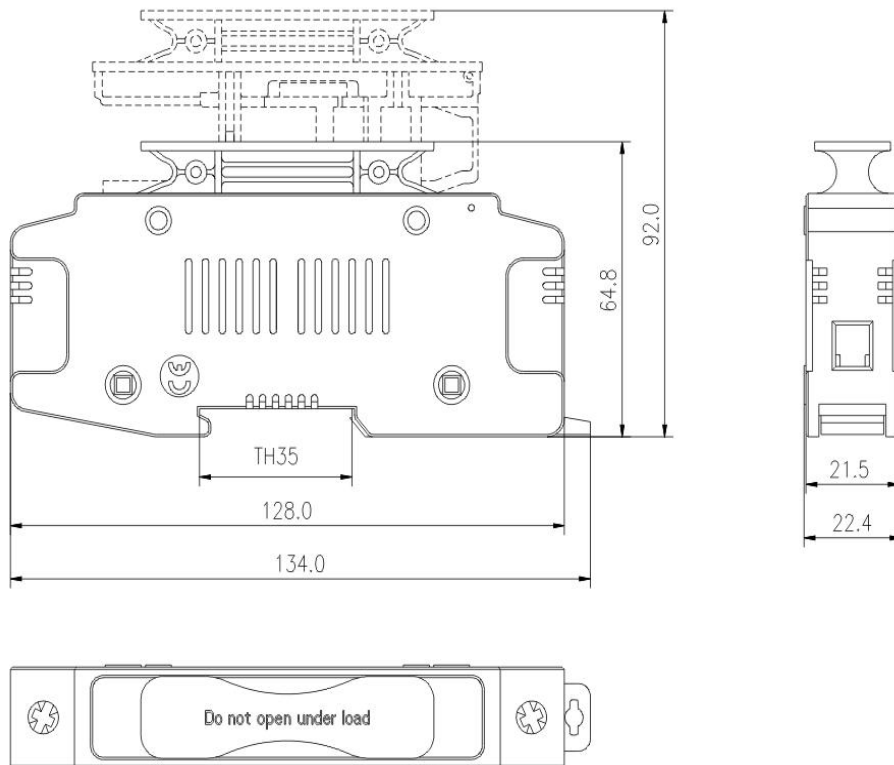
#### Product Specifications

绝缘材料 Insulation material	PA	阻燃等级 Flame class	UL94-V0
额定电流 Rated current	50A	环境温度范围 Ambient temperature range	-40°C...+85°C(IEC)
额定电压 Rated voltage	1500VDC	适配电线规格 Suitable cable cross sections	1.5~16mm <sup>2</sup> /16~16AWG
测试电压 Test voltage	AC3kV(50Hz,1min)	连接方式 Connecting system	压接 Crimp connection
接触电阻 Contact resistance	≤0.25mΩ	螺帽锁紧力 Nut cap locking force	1.8Nm
金属导体材料 Contact material	铜,镀锡 Copper, Tin plated	温度上限 Upper limiting temperature	125°C(IEC)
绝缘电阻 Insulation resistance	≥500Vdc 1000MΩ	导轨规格 Rail spec.	TH35

### 图示:

#### Drawing:

NSPV-63T



### 适配保险丝尺寸:

#### Suitable for fuse size:

10*85mm	1A	2A	3A	3.5A	4A	10A	15A	20A
10/14*85mm	25A	30A	32A	40	45	50		