



Our *passion* is enclosures.



technoPLUS

Premium plastic enclosures made of LURAN®

Technical data

technoPLUS



Integrated recess for membrane keypads



Enclosure fastening with closed lid



Design covers for the perfect look



Integrated lid supports



Mounting standoffs for self-tapping screws



Optional mast attachment

Enclosure: ASA LURAN®, UV stabilized: 2° mould slope for moulding ejection, internal measures diminishing circulatory towards enclosure bottom by 2°.

Integrated recess: in the lid for membrane keypad or front plates

Internal mounting: Attachment webs in the bottom section and attachment domes in the top section

Ingress protection: IP 66 / EN 60529

Gasket: Silicone gasket (-50°C to +140°C),

Lid screws: Stainless steel 1.4567 (V2A), captive

Integrated lid supports: polypropylene (PP) in RAL 7040, window grey

Design covers: latching, polypropylene (PP) in RAL 7016, anthracite grey

Surface: Powder coating in RAL 7035, light grey

Optionally available :

Mast attachment: ASA LURAN®, UV stabilized, RAL 7016, anthracite grey

Gasket: EMC gasket (-55°C to +160°C)

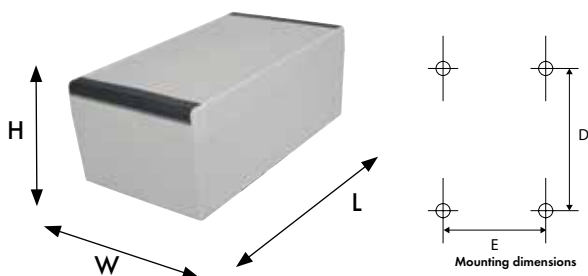
Ingress protection: IP67 / EN 60529

Further options see range overview.



Range overview technoPLUS													
Type	Mat.-Nr.	L	W	H	D	E	g	M	EMV	MH	T	ID	PLUS
TP 090	290.090.000	130	90	70	112	44	260	•	•	•	•	□	•
TP 092	290.092.000	180	90	70	162	44	330	•	•	•	•	□	•
TP 112	290.112.000	160	110	70	142	64	340	•	•	•	•	□	•
TP 132	290.132.000	230	130	90	212	84	580	•	•	•	•	□	•
TP 172	290.172.000	270	170	90	252	124	760	•	•	•	•	□	•

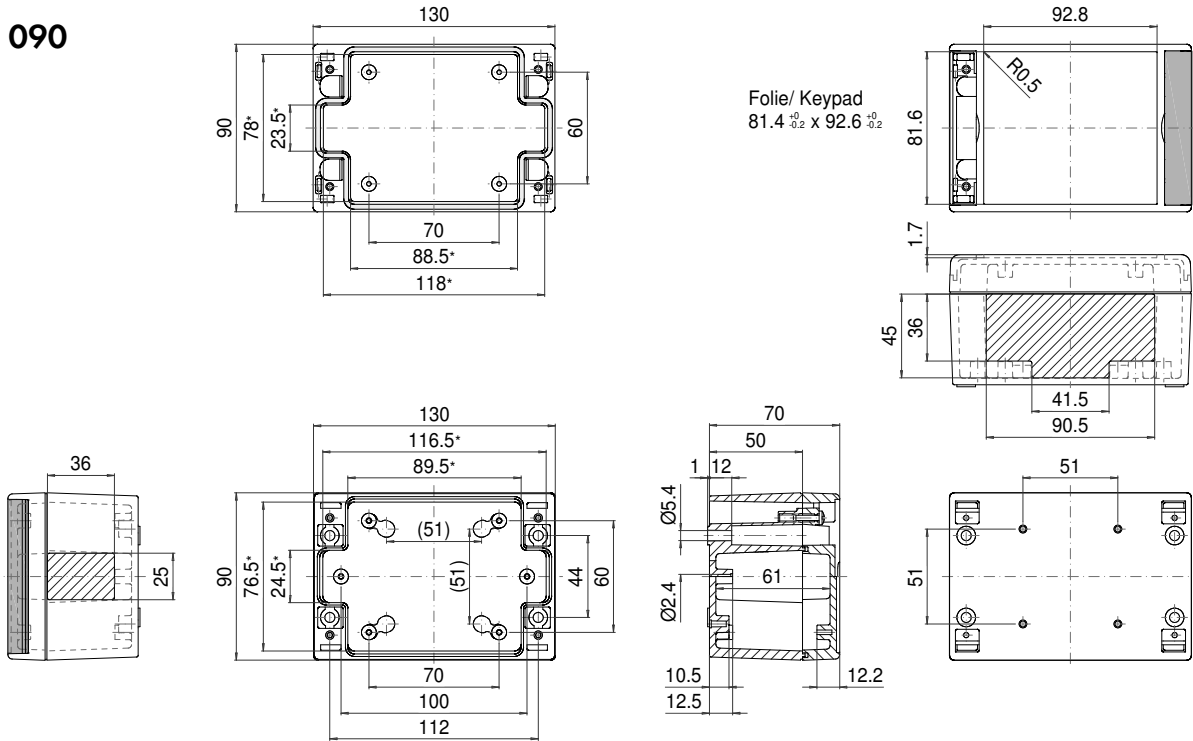
Approvals:



ROLEC Attachment and mounting dimensions

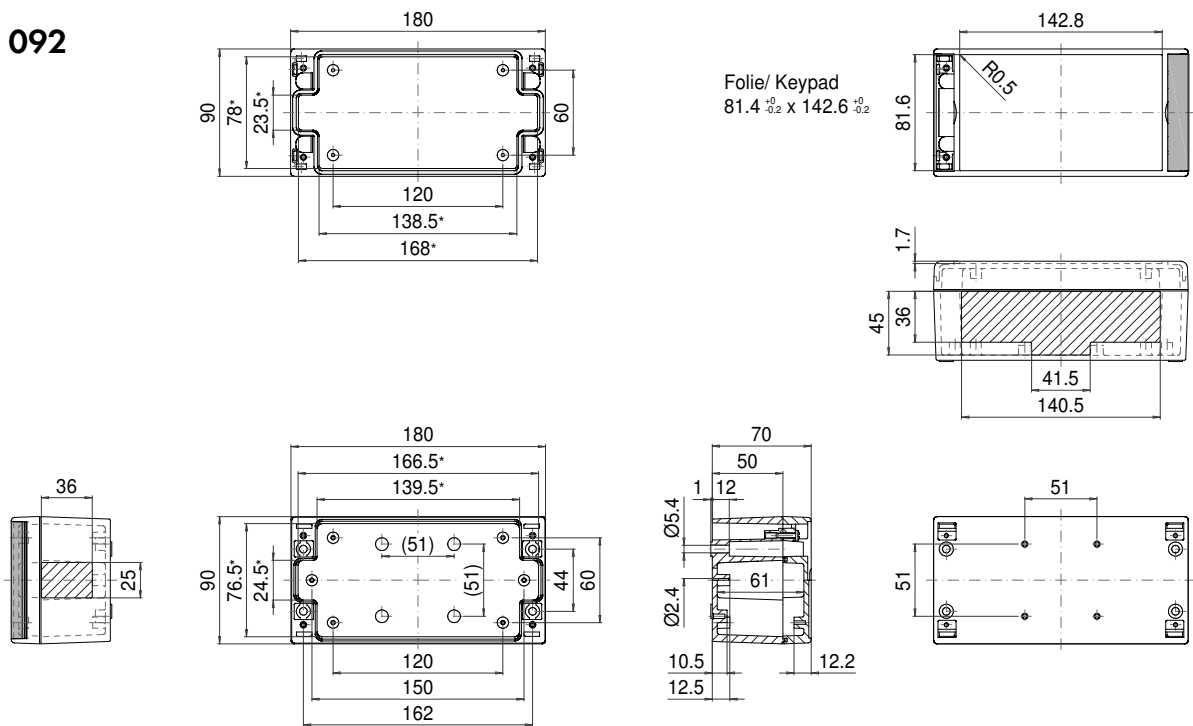
technoPLUS

TP 090



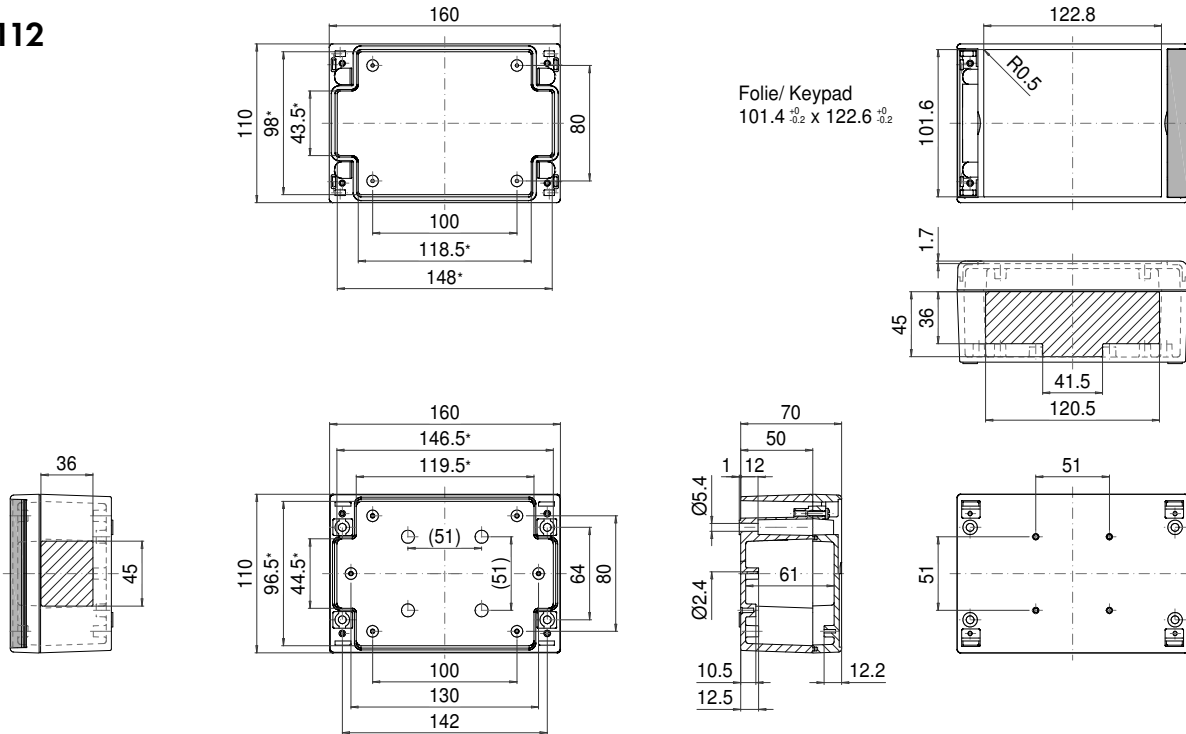
* Please note: Mould slope for moulding ejection, dimensions in the amount of the bottom!

TP 092



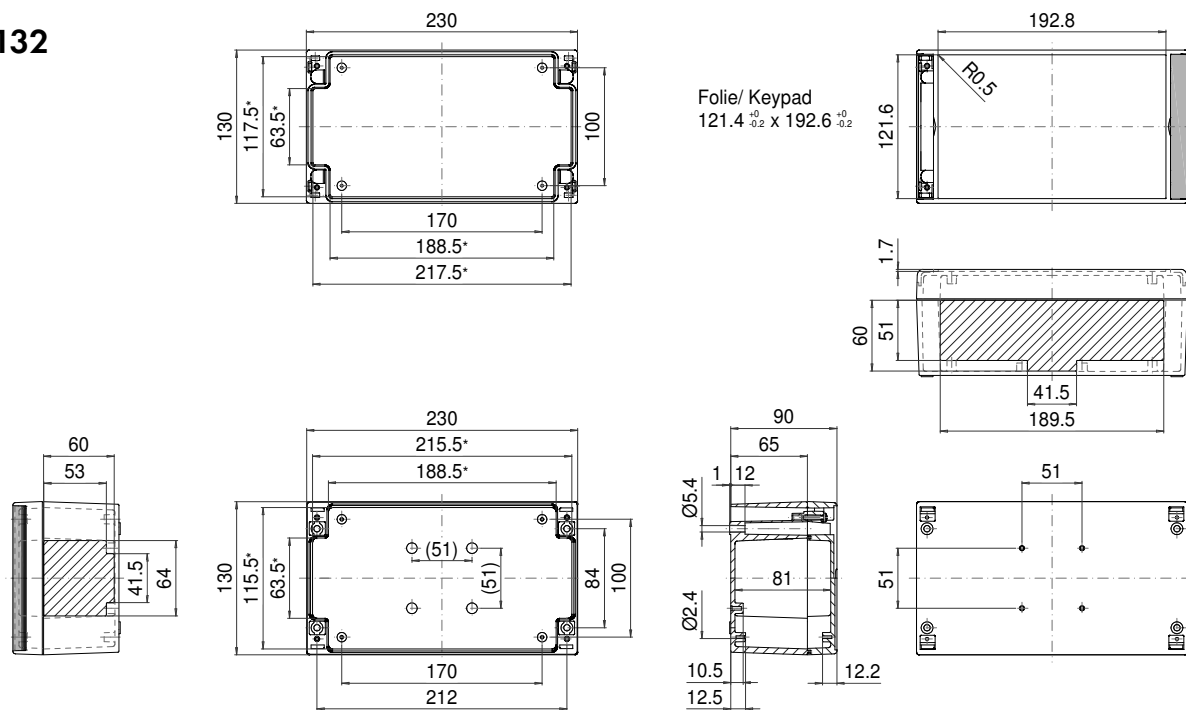
* Please note: Mould slope for moulding ejection, dimensions in the amount of the bottom!

TP 112



* Please note: Mould slope for moulding ejection, dimensions in the amount of the bottom!

TP 132

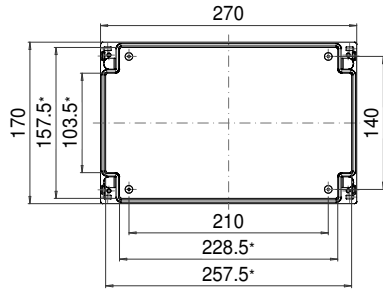


* Please note: Mould slope for moulding ejection, dimensions in the amount of the bottom!

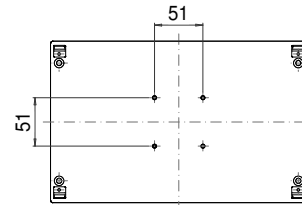
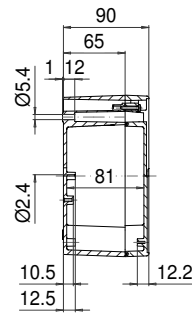
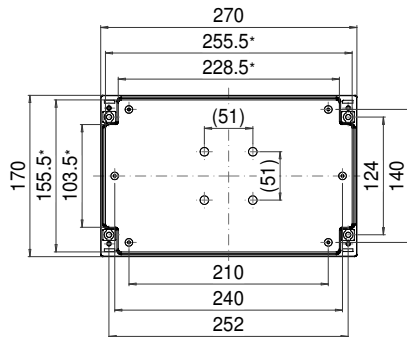
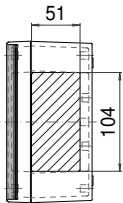
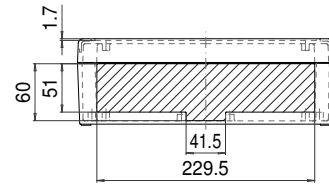
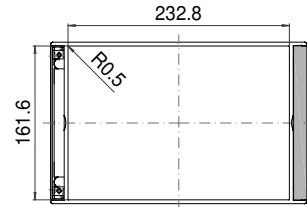
ROLEC Attachment and mounting dimensions

technoPLUS

TP 172



Folie/ Keypad
 $161.4^{+0.0}_{-0.2} \times 232.6^{+0.0}_{-0.2}$



* Please note: Mould slope for moulding ejection, dimensions in the amount of the bottom!